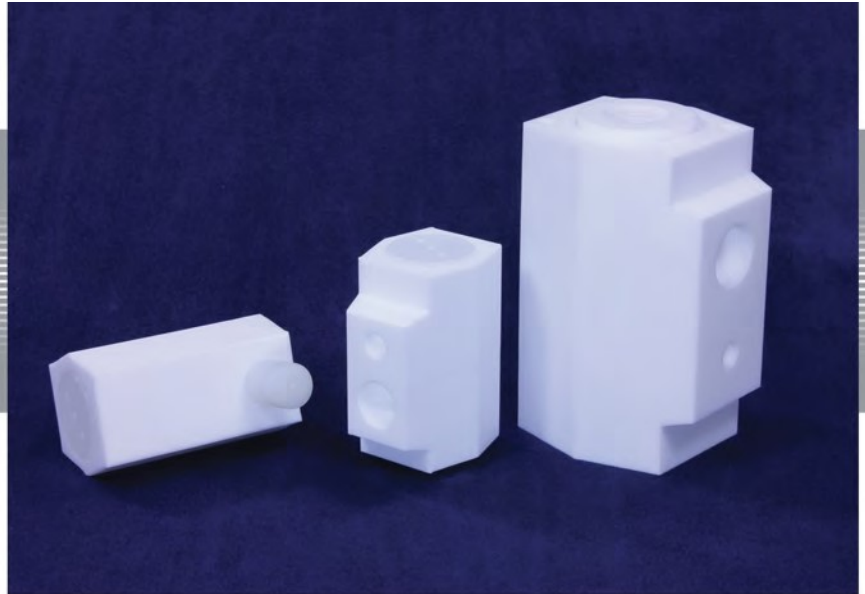


Our **iPolymer Teflon® Pneumatic Valve** (TP Valve) features an all PTFE wetted surface design. The design is ideally suited for harsh chemical and corrosive media and environments.

Polytetrafluoroethylene (PTFE), commonly known by its popular E.I. DuPont trade name Teflon®, is well suited for clean room and deionized water applications.



Features

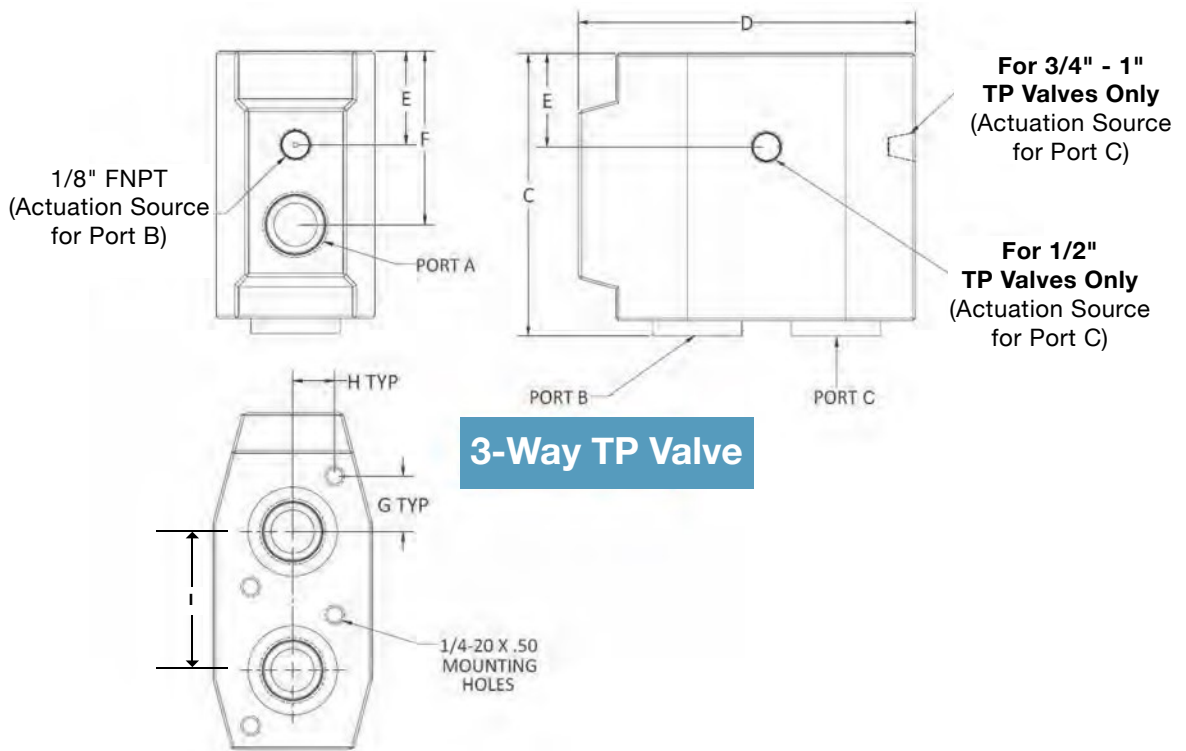
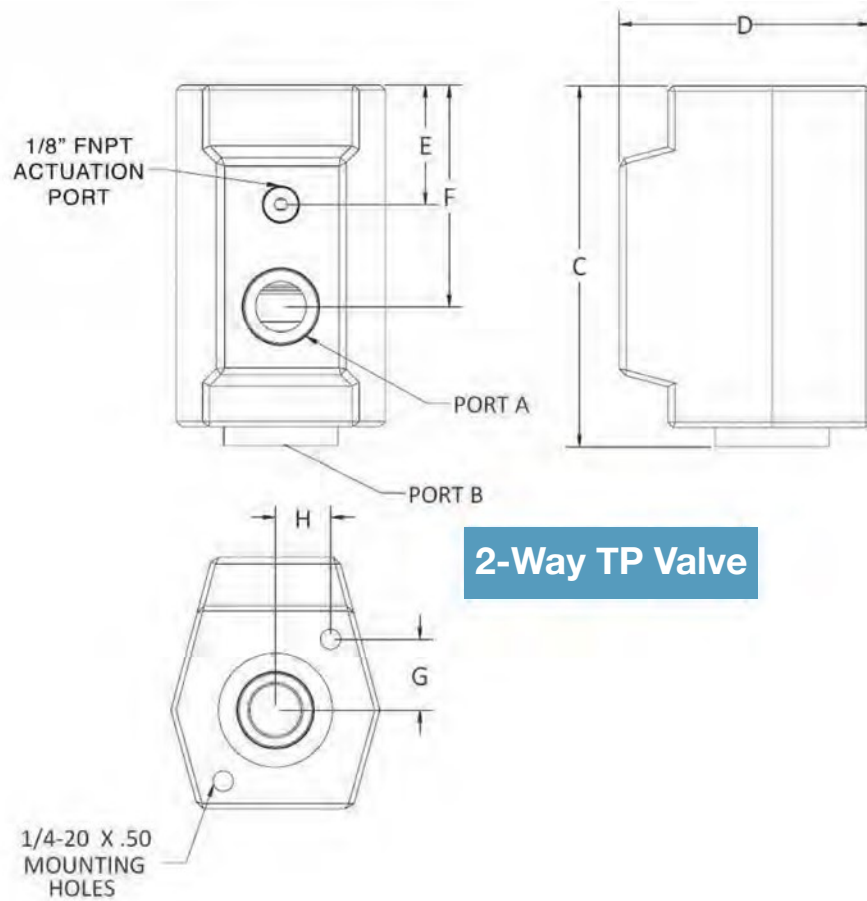
- One Piece PTFE Body
- Optimum Anti-Corrosion Design
- Hi-Temp Version with PVDF Components Also Available
- Complete Media Isolation

Materials of Construction

Body.....	PTFE
Bellows/Poppet.....	PTFE
Backing Plate.....	PTFE
Piston.....	Polypropylene
Cap.....	Polypropylene

Specifications

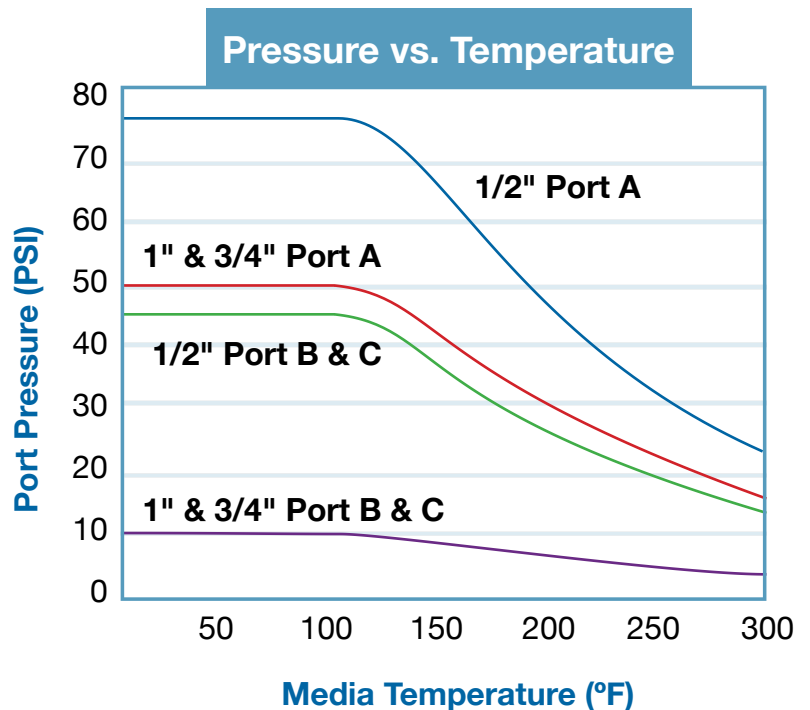
Size	1/2" Orifice	3/4" Orifice	1" Orifice
C_v	2.2	2.8	7.5
Max Pressure²			
Port A	75 psi	50 psi	50 psi
Port B & C	45 psi	10 psi	10 psi
Actuator Pressure-psi min/max	50 / 80	50 / 80	50 / 80
Max Media Temperature²	212° F / 100°C / HT 300°F / 149°C		
1. Specifications applicable for both normally open and normally closed configurations. 2. See Pressure vs. Temperature graph for full range. 3. Port C reference for 3-Way only.			



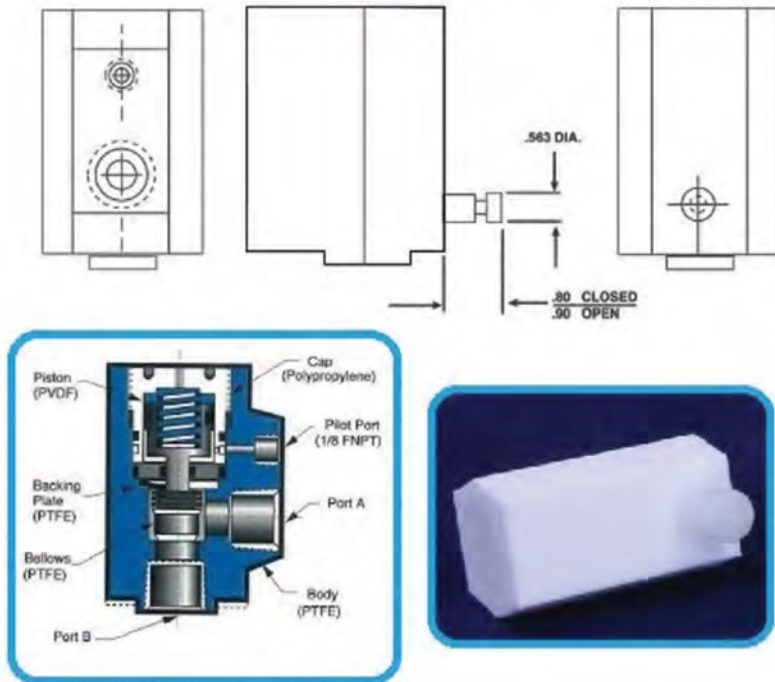
Style	Port A, B, C	C	D	E	F	G	H	I
2 Way	1/2"	3.56	2.48	1.18	2.19	0.70	0.53	n/a
	3/4"	5.61	3.56	1.94	3.65	1.21	0.85	n/a
	1.0"	5.61	3.56	1.94	3.65	1.21	0.85	n/a
3 Way	1/2"	3.56	4.25	1.18	2.19	0.70	0.53	1.75
	3/4"	5.61	6.00	1.93	3.64	1.21	0.85	2.50
	1.0"	5.61	6.00	1.93	3.64	1.21	0.85	2.50

Application Uses:

- Chemical Neutralization
- Chemical Delivery
- DI Water Rinse
- Wafer Etching
- Acid Parts Cleaning
- Phosphoric Acid Nitride Removal
- Sulfuric Peroxide Stripping
- Potassium Hydroxide Etching



AB Option

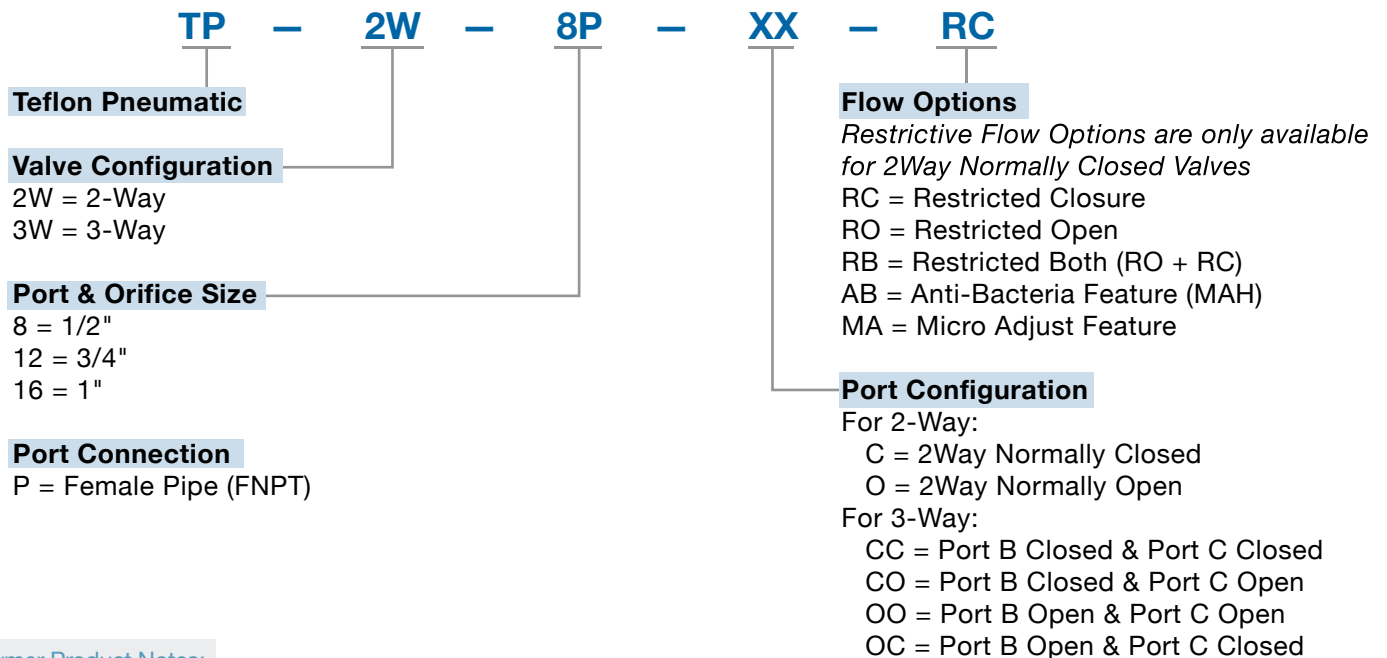


This style TP Valve offer a continuous metered flow path to reduce the potential of chemical and bacteria build-up.

Currently only offered in our 2-Way Normally Closed Port Configuration, the "AB" Option adds a metering screw and bleed bypass across the valve seat.

This controlled flow rate maintains a continuous system flow which reduces chemistry and bacteria build-up in both the valve gallery and associated plumbing.

Teflon Pneumatic Valve: ORDERING FORMAT



iPolymer Product Notes:

1. Please email Customer Service at info@ipolymer.com
2. Call us for special applications. We can manufacture our Valves with special mounting and interface dimensions.
3. Upon request, alternate material selection from those listed will allow for expanding temperature ratings or other performance characteristics.
4. Unauthorized disassembly of this product will void the original factory one-year product warranty. For further details please contact your local Distributor or our factory directly.

200304

international polymer solutions inc. • manufacturer of high purity fluid handling products
www.ipolymer.com • info@ipolymer.com