

**iPolymer DI Water Valves** are perfect 2-Way Valves for wet benches and chemical process facilities where ultrapure water is required.

**Wetted Path is free of...**

- Lubricants
- Elastomers
- Springs

Our iPolymer DI Valve materials of construction include three options for the Body, Piston and Cap Assembly: PVC, Polypropylene or PVDF. For the highest level of chemical inertness and overall fluid handling performance all three configurations include 100% Virgin PTFE for the Bellows and Backing Plate construction.

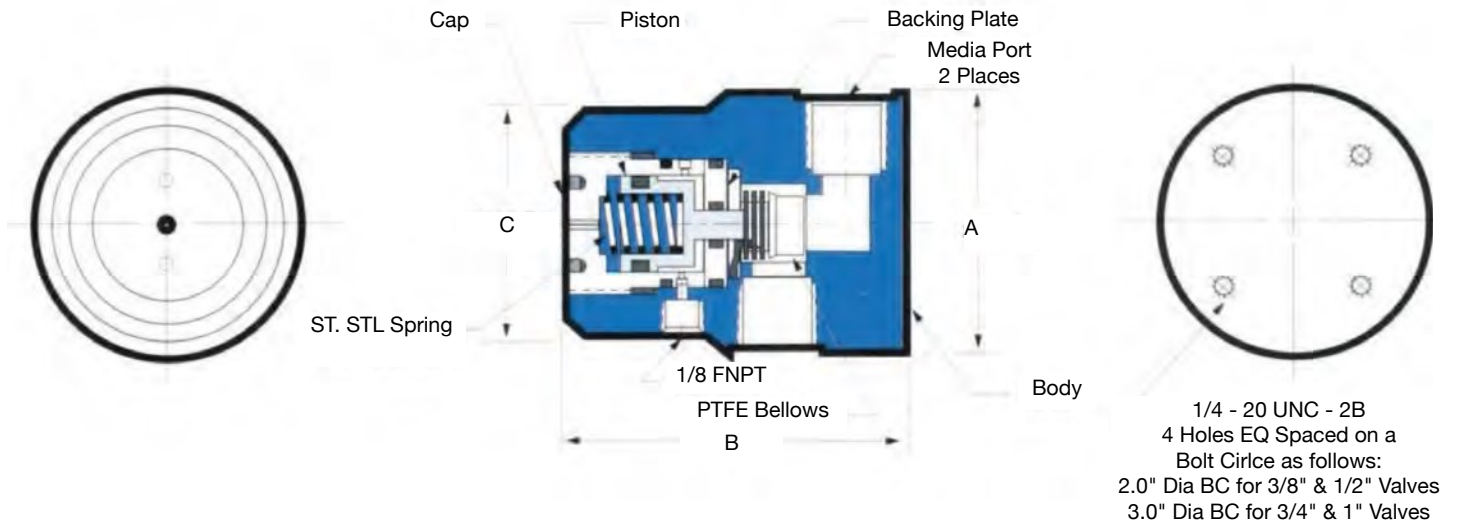
O-Ring Seal options include EP or Viton. All DI Valve come standard with high performance Stainless Steel actuation springs.

The DI Valve is pneumatically actuated to open or close depending on the model selected.



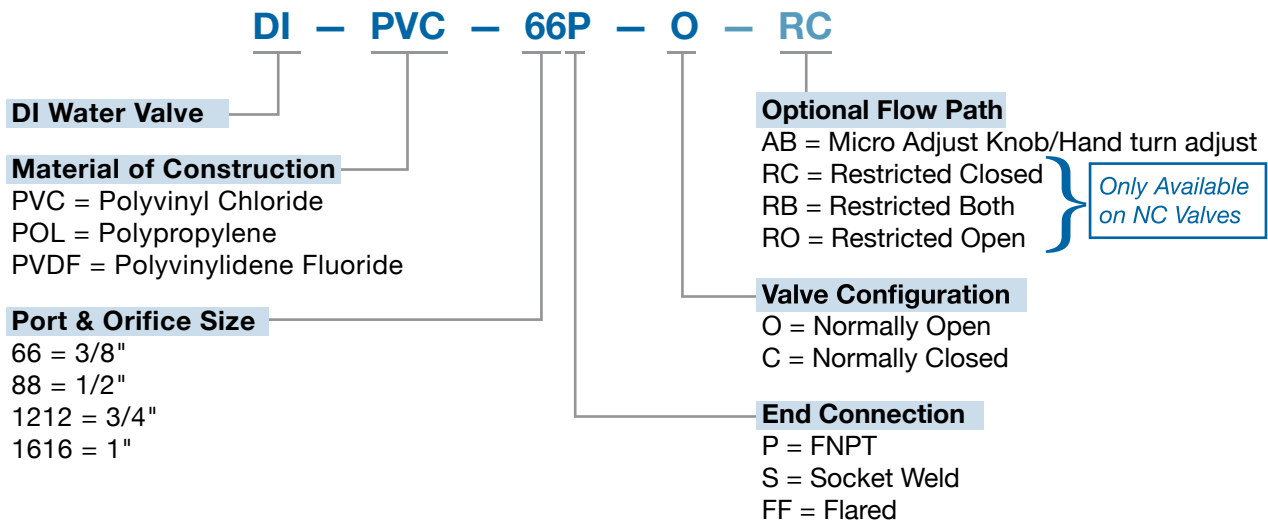
The DI Valve is formally known as the "MP" Multi - Purpose Valve. Call iPolymer for special configurations.

DI Valve Specifications	PVC Model	Polypro Model	PVDF Model
Valve Type	2-Way NO or NC	2-Way NO or NC	2-Way NO or NC
Port & Orifices Available	3/8", 1/2", 3/4" & 1"	3/8", 1/2", 3/4" & 1"	3/8", 1/2", 3/4" & 1"
Fluid Max Pressure (psi) @ 70°F	75 psi	75 psi	75 psi
Media Backpressure (psi) @ 70°F	30 psi	30 psi	30 psi
Fluid Temperature Range	32°F to 140°F	32°F to 160°F	32°F to 212°F
Ambient Temperature Range	32°F to 120°F	32°F to 140°F	32°F to 175°F
Acuation Pressure (psi)	40 psi to 80 psi	40 psi to 80 psi	40 psi to 80 psi



Port & Orifice	Cv Factor	Dim "A"	Dim "B"	Dim "C"
3/8"	2.1	2.75	3.56	2.38
1/2"	2.8	2.75	3.56	2.38
3/4"	7.5	4.00	5.91	3.25
1"	13.5	4.00	5.91	3.25

## DI Water Valve: ORDERING FORMAT



### iPolymer Product Notes:

1. Please email Customer Service at [info@ipolymer.com](mailto:info@ipolymer.com)
2. Call us for special applications. We can manufacture our Valves with special mounting and interface dimensions.
3. Upon request, alternate material selection from those listed will allow for expanding temperature ratings or other performance characteristics.
4. Unauthorized disassembly of this product will void the original factory one-year product warranty. For further details please contact your local Distributor or our factory directly.

200304