



international polymer solutions

# Water Valve

**IPS Water Valve (WV)** is manufactured in two material choices: Polypropylene or PVDF. The valve has a spring return and is pneumatically actuated to open or close depending upon the model.

The valve is compact and comes with four tapped holes on the base for ease of mounting.

### Applications

The IPS Water Valve is primarily used for purified water applications, DI water applications and controlled process tank applications. The Polypropylene and PVDF configurations of this valve can be used for numerous mild chemical applications. These include rinsing, blending, and other pneumatically controlled process applications.

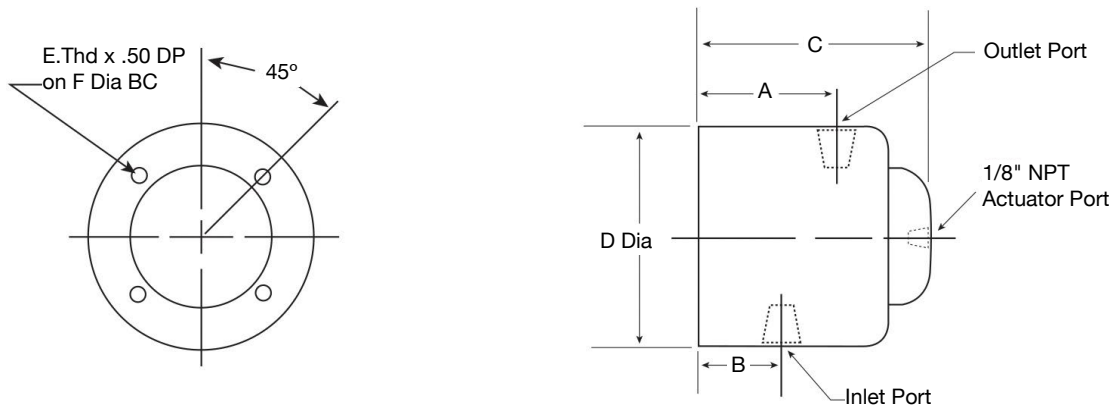
We offer a special Foot Operated Valve configuration for the 1/2" FNPT Ported design. This Foot Operated Valve (option "FV") is an excellent option for manual actuation, with hands free use, on Wet Benches. The technician depresses a foot actuated valve to energize the 1/2" FNPT Water Valve. Leaving both hands free to manage other tasks on the Wet Bench. Call IPS for details on the FV Option.



### Specifications

Size	1/4" Orifice	1/2" Orifice	3/4" Orifice	1" Orifice
Cv	0.8	2.8	7.5	13.5
Max Pressure Inlet	80 psi	80 psi	60 psi	60 psi
Max Media Temperature				
Poly		160°F / 70°C		
PVDF		212°F / 100°C		
Actuator Pressure (min/max)		35 / 70 psi		

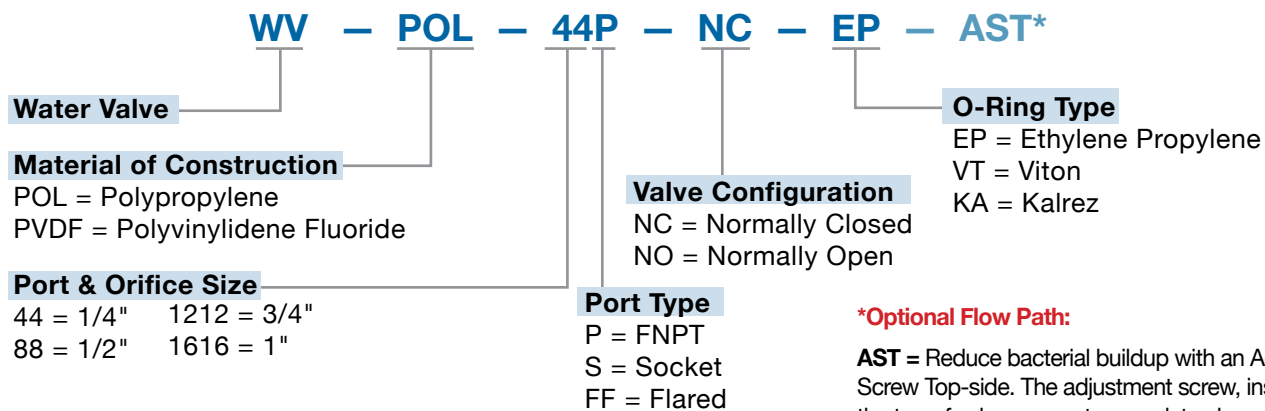




Size	A	B	C	D Dia	E Thd	F Dia
1/4"	1.52	1.00	2.44	2.25	1/4" - 20 UNC-2B	1.81
1/2"	1.69	.96	2.78	2.75	1/4" - 20 UNC-2B	2.00
1/2"	1.15	1.15	2.25	2.75	1/4" - 20 UNC-2B	2.00
3/4"	2.28	1.33	3.66	3.00	1/4" - 20 UNC-2B	2.50
1"	2.83	1.69	4.43	4.00	1/4" - 20 UNC-2B	3.44

     = Low Profile (in line) water valve - see IWV ordering format information below.

## Water Valve: ORDERING FORMAT

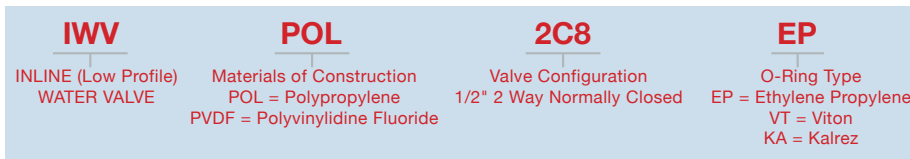


### \*Optional Flow Path:

**AST** = Reduce bacterial buildup with an Adjustment Screw Top-side. The adjustment screw, installed at the top of valve, prevents complete closure thereby allowing a controlled drip. Ideal for DI Water applications. Only available to "NO" configurations.

**ASB** = Create a metering effect with an Adjustment Screw Bottom-side. The adjustment screw, installed at the bottom of the valve, meters the orifice opening. Only available to "NC" configurations.

**ATB** = Combine both optional features into one valve (AST + ASB) with Adjustment Screws Top-side & Bottom-side for both controlled drip and orifice metering. Only available to "NC" configurations.



### IPS Product Notes:

- Please email Customer Service at info@ipolymer.com
- Call us for special applications. We can manufacture our Valves with special mounting and interface dimensions.
- Upon request, alternate material selection from those listed will allow for expanding temperature ratings or other performance characteristics.
- Unauthorized disassembly of this product will void the original factory one-year product warranty. For further details please contact your local Distributor or our factory directly.

141203