

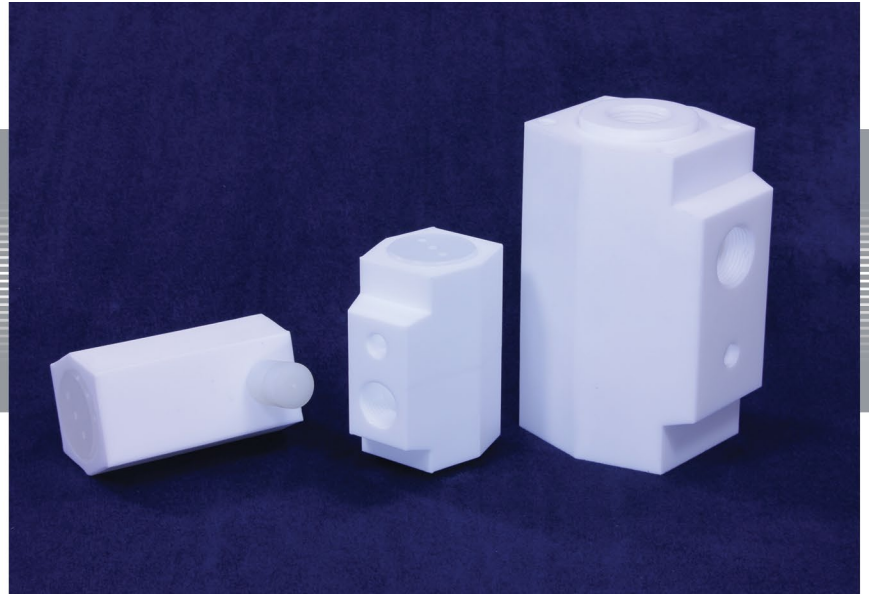


international polymer solutions

# Teflon® Pneumatic Valves

Our **IPS Teflon® Pneumatic Valve** (TP Valve) features an all PTFE wetted surface design. The design is ideally suited for harsh chemical and corrosive media and environments.

Polytetrafluoroethylene (PTFE), commonly known by its popular E.I. DuPont trade name Teflon®, is well suited for clean room and deionized water applications.



## Features

- One Piece PTFE Body
- Optimum Anti-Corrosion Design
- Ideal for Hi-Temp Applications
- Complete Media Isolation

## Materials of Construction

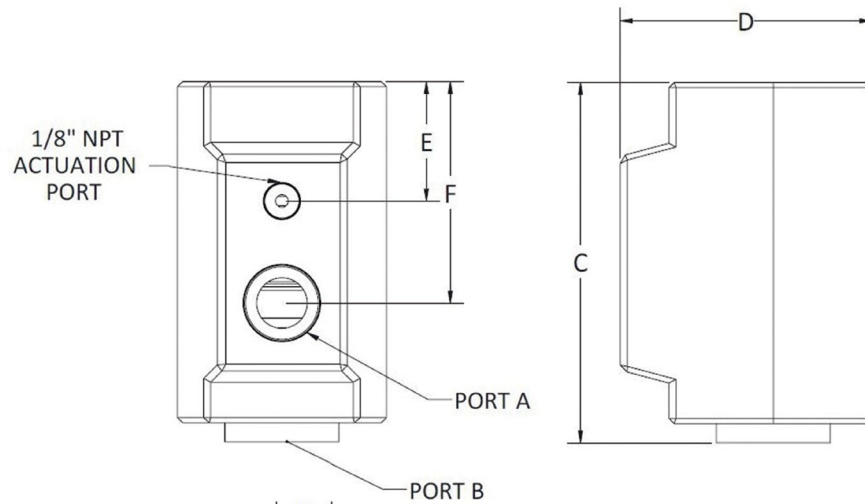
Body.....PTFE  
 Bellows/Poppet.....PTFE  
 Backing Plate.....PTFE  
 Piston.....PVDF  
 Cap.....Polypropylene  
 Spring.....Stainless Steel

## Specifications

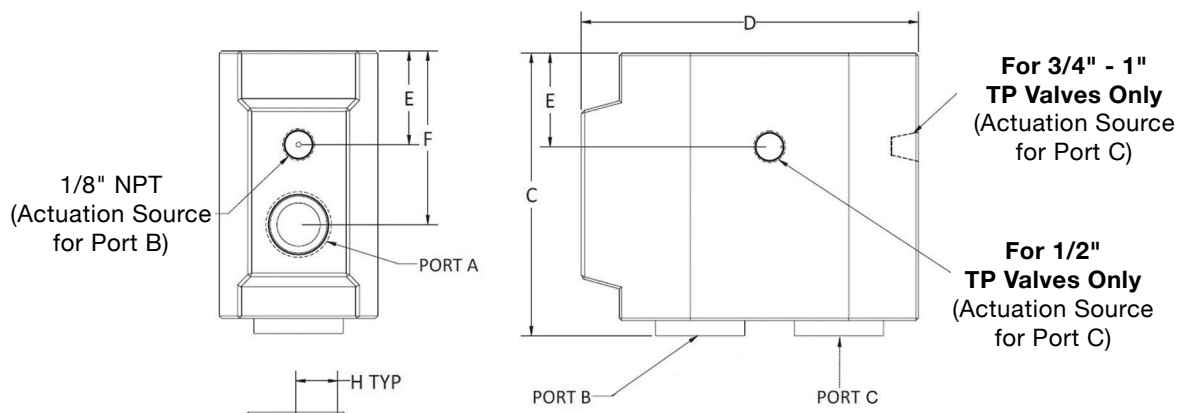
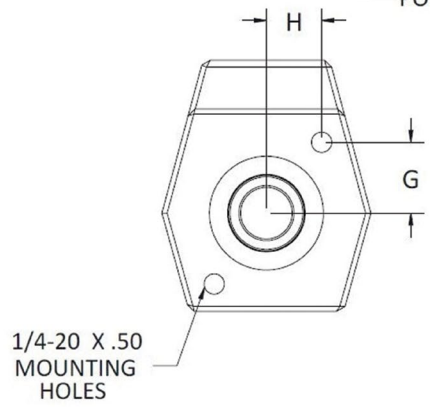
Size	1/2" Orifice	3/4" Orifice	1" Orifice
<b>C<sub>v</sub></b>	2.2	2.8	7.5
<b>Max Pressure<sup>2</sup></b>			
<b>Port A</b>	75 psi	50 psi	50 psi
<b>Port B &amp; C</b>	45 psi	10 psi	10 psi
<b>Actuator Pressure-psi min/max</b>	50 / 80	50 / 80	50 / 80
<b>Max Media Temperature<sup>2</sup></b>	300° F	300° F	300° F

1. Specifications applicable for both normally open and normally closed configurations.  
 2. See Pressure vs. Temperature graph for full range.  
 3. Port C reference for 3-Way only.

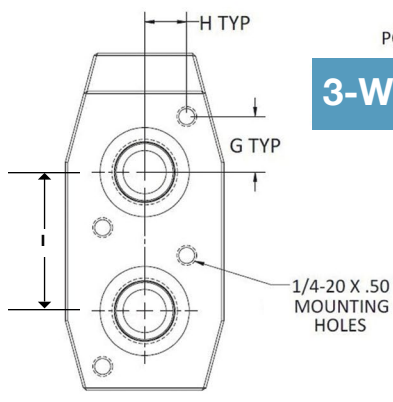




**2-Way TP Valve**



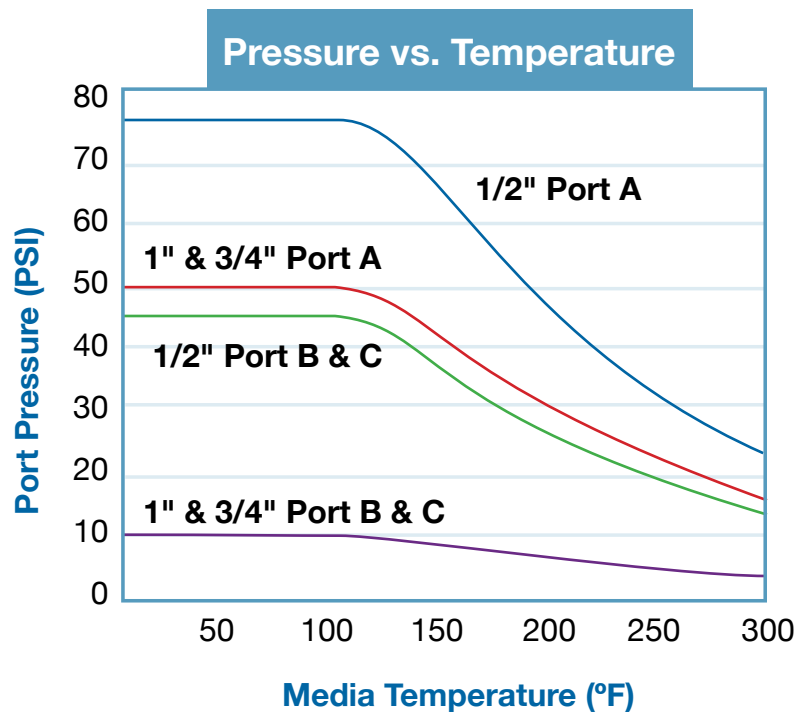
**3-Way TP Valve**



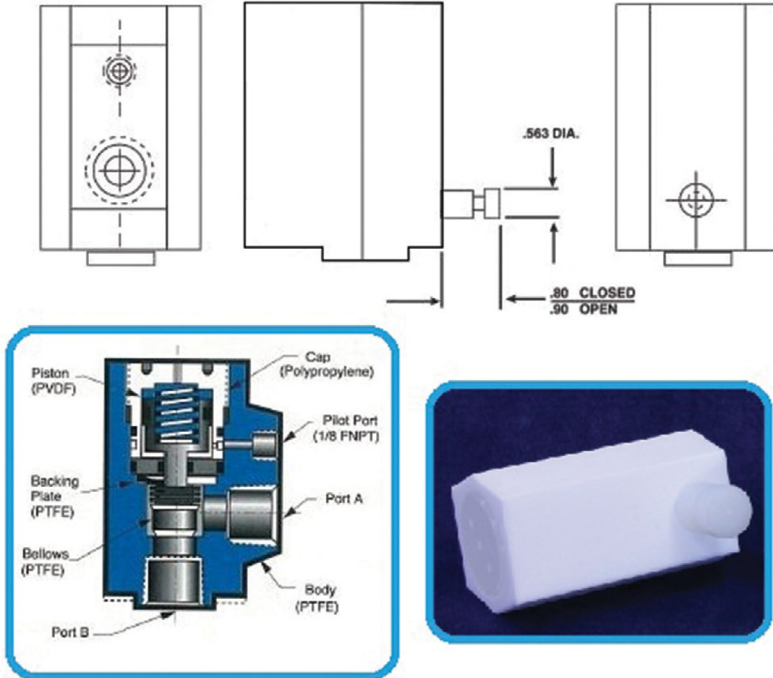
Style	Port A, B, C	C	D	E	F	G	H	I
<b>2 Way</b>	1/2"	3.56	2.48	1.18	2.19	0.70	0.53	n/a
	3/4"	5.61	3.56	1.94	3.65	1.21	0.85	n/a
	1.0"	5.61	3.56	1.94	3.65	1.21	0.85	n/a
<b>3 Way</b>	1/2"	3.56	4.25	1.18	2.19	0.70	0.53	1.75
	3/4"	5.61	6.00	1.93	3.64	1.21	0.85	2.50
	1.0"	5.61	6.00	1.93	3.64	1.21	0.85	2.50

**Application Uses:**

- Chemical Neutralization
- Chemical Delivery
- DI Water Rinse
- Wafer Etching
- Acid Parts Cleaning
- Phosphoric Acid Nitride Removal
- Sulfuric Peroxide Stripping
- Potassium Hydroxide Etching



## AB Option

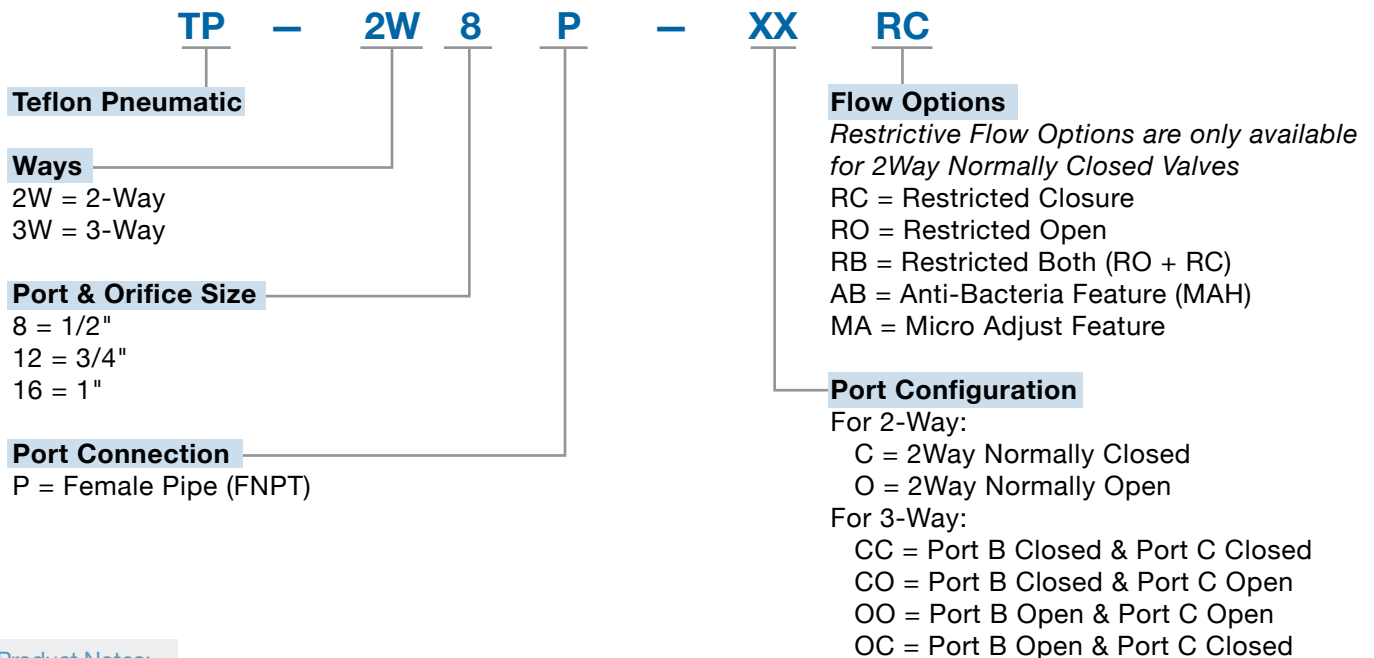


This style TP Valve offer a continuous metered flow path to reduce the potential of chemical and bacteria build-up.

Currently only offered in our 2-Way Normally Closed Port Configuration, the "AB" Option adds a metering screw and bleed bypass across the valve seat.

This controlled flow rate maintains a continuous system flow which reduces chemistry and bacteria build-up in both the valve gallery and associated plumbing.

## Teflon Pneumatic Valve: ORDERING FORMAT



### IPS Product Notes:

1. Please email Customer Service at info@ipolymer.com
2. Call us for special applications. We can manufacture our Valves with special mounting and interface dimensions.
3. Upon request, alternate material selection from those listed will allow for expanding temperature ratings or other performance characteristics.
4. Unauthorized disassembly of this product will void the original factory one-year product warranty. For further details please contact your local Distributor or our factory directly.

141207

international polymer solutions inc. • manufacturer of high purity flow control products  
5 Studebaker • Irvine, CA 92618 • t: 949.458.3731 • f: 949.458.2787