



international polymer solutions

Sampling Metered Valve

Our **IPS PTFE Sampling Metered Valve (SMV)** is designed for use in high purity water and aggressive chemical applications.

Designed with a 100% virgin PTFE wetted flow path, the unit is ideal for DI Water Systems and corrosive media found in solar, semiconductor, pharmaceutical and chemical process applications.

This Panel Mount unit functions with a manual push level to actuate a metered flow.

The metered flow ensures a controlled dispensing of fluid for manual sampling.

Commonly used for dispensing controlled amounts of media for element verification tests; for manual dispensing of DI Water into carboy and other transport containers; and for dispensing metered amounts of chemicals to blend and balance process chemistries.



Other sizes and configurations are available on request.

Specifications:

Materials of Construction:

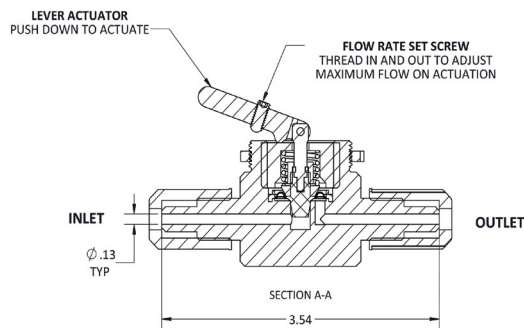
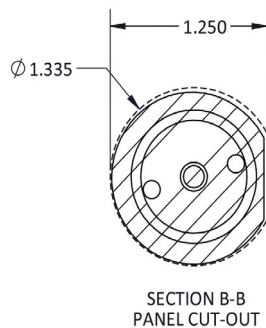
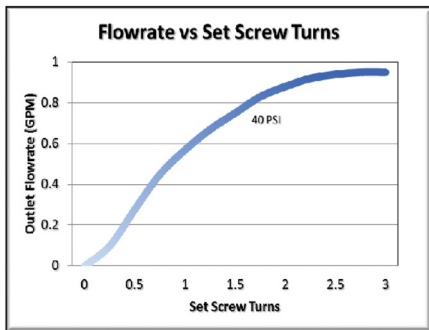
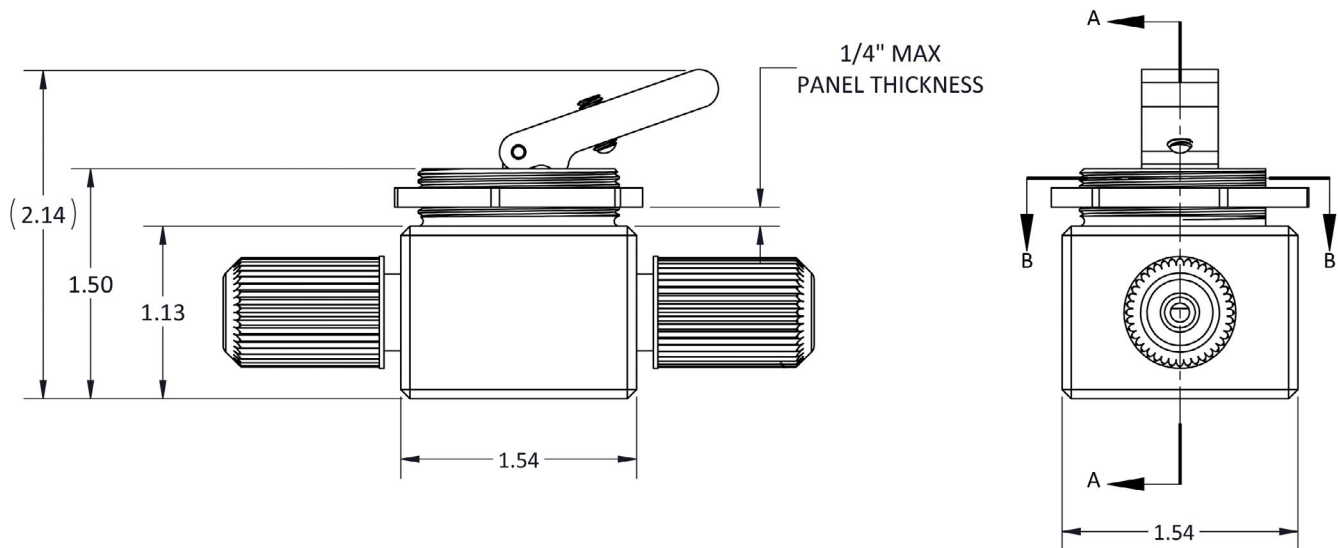
- Wetted Surfaces: Machined 100% Virgin PTFE & TFM
- Non Wetted Materials: Polypro, PVDF, SS

Temperature Ranges:

- 32°F - 140°F (0°C - 60°C) Ambient
- 32°F - 200°F (0°C - 93°C) Media

Pressure Ranges:

- Maximum Inlet Pressure: 60 psi (414 kPa | 4.14 bar)
- The unit is metered to reduce the Inlet Pressure. Depending on the media conditions (pressure, temperature, viscosity and specific gravity) the valve will produce a 25% to 50% pressure drop.



Sampling Metered Valve: ORDERING FORMAT

SMV – 42F – P

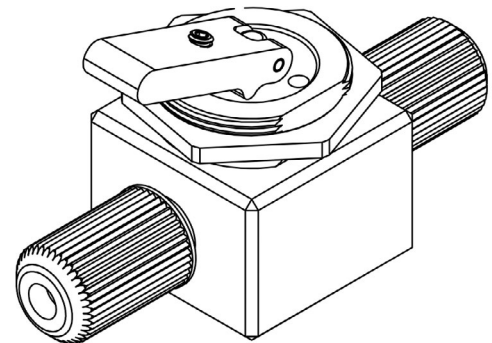
Porting w/ Max Orifice

- 22P = 1/8" FNPT & 0.125" Orifice
- 21T = 1/8" TUBE & 0.063" Orifice
- 44P = 1/4" FNPT & 0.250" Orifice
- 43T = 1/4" TUBE & 0.188" Orifice
- 42F = 1/4" FLARE & 0.125" Orifice

Mounting

P = Panel Mount

• These valves are configured with their maximum available port orifice for the given port style and size. Call IPS for special constrained orifice & other custom solutions.



IPS Product Notes:

1. Please email Customer Service at info@ipolymer.com
2. Call us for special applications. We can manufacture our Valves with special mounting and interface dimensions.
3. Upon request, alternate material selection from those listed will allow for expanding temperature ratings or other performance characteristics.
4. Unauthorized disassembly of this product will void the original factory one-year product warranty. For further details please contact your local Distributor or our factory directly.

141021