



international polymer solutions

# Quick Dump Valves

## Our Quick Dump ("QD") Valves

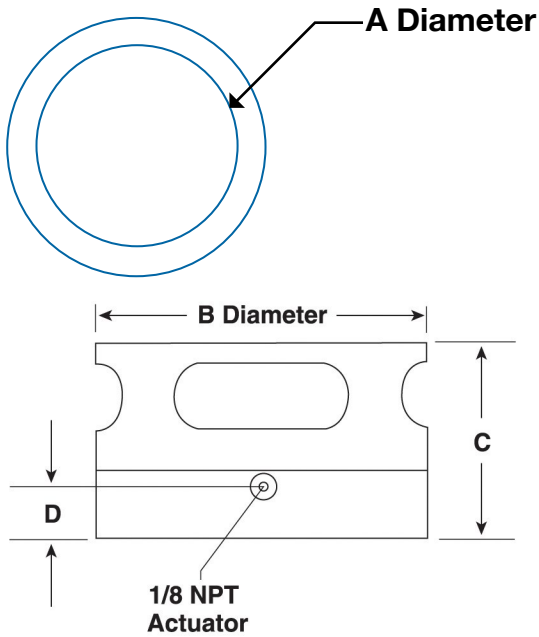
are designed to rapidly drain process tanks. Constructed from high-purity polymers, which are selected to meet your applications needs, our Quick Dump Valves are available in Polypropylene (POL) or Polyvinylidene Fluoride (PVDF). These valves are designed to be welded directly to the underside (bottom) of tanks. Our Quick Dump Valves are available con-



figured with either O-Ring Seats or Domed Hard Seats. The Domed Hard Seat design prevents ponding/puddling of media on the valve piston and allows for a slight trickle of fluid. This plunger-style valve is very compact, while still configured with optional Air-to-Open/Spring-to-Close or Air-to-Open/Air-to-Close actuation.

Quick Dump Configuration	2"	4"
<b>Actuation Pressure – PSI (Min / Max)</b>	60 / 70	45 / 55
<b>Media Temperature</b>		
<b>Polypropylene – °F (Min / Max)</b>	30 / 160	30 / 160
<b>PVDF – °F (Min / Max)</b>	20 / 230	20 / 230
<b>Approximate Dump Rate (GPM @ 1ft Head)</b>	30	60

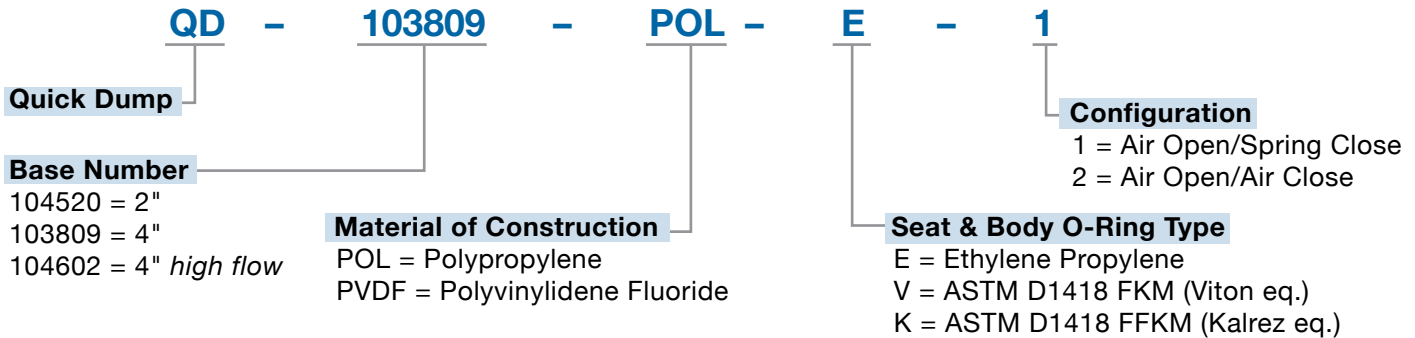




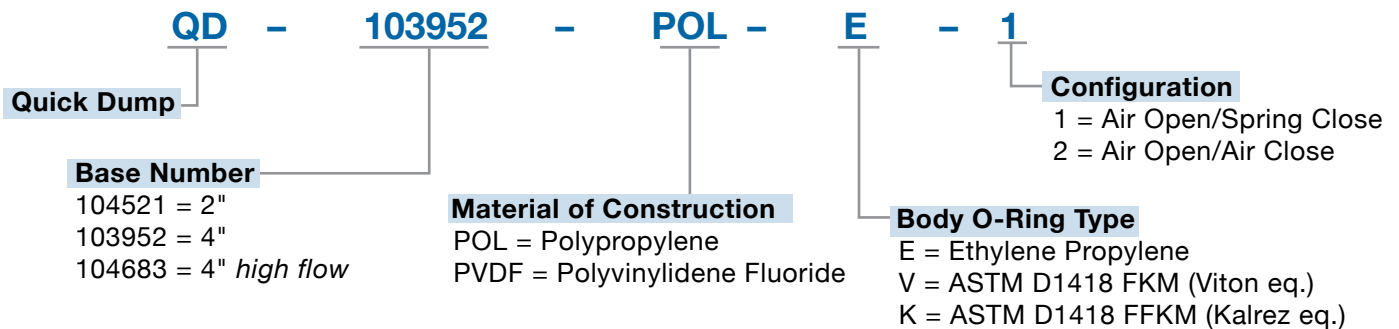
Size	Seat	Base	A	B	C	D
2"	O-Ring	104520	2"	3"	3.0"	.78"
2"	Hard	104521	2"	3"	3.0"	.78"
4"	O-Ring	103809	4"	5"	3.0"	.78"
4"	Hard	103952	4"	5"	3.0"	.78"
4" (high flow)	O-Ring	104602	4"	5"	4.0"	1.43"
4" (high flow)	Hard	104683	4"	5"	4.0"	1.43"

## Quick Dump Valves: ORDERING FORMAT

### O-Ring Seat



### Hard Seat



#### IPS Product Notes:

1. Please email Customer Service at [info@ipolymer.com](mailto:info@ipolymer.com)
2. Call us for special applications. We can manufacture our QD Valves with special mounting and interface dimensions.
3. Upon request, alternate material selection from those listed will allow for expanding temperature ratings or other performance characteristics.
4. Unauthorized disassembly of this product will void the original factory one-year product warranty. For further details please contact your local Distributor or our factory directly.

141130

international polymer solutions inc. • manufacturer of high purity flow control products  
5 Studebaker • Irvine, CA 92618 • t: 949.458.3731 • f: 949.458.2787