



international polymer solutions

Pressure Relief Valve

Our IPS Pressure Relief Valve (PRV)

is constructed with a 100% pure PTFE Valve Body and Valve Plug. The single O-Ring design allows user selection of EP, Viton or Kalrez (FFKM eq.) depending on the flowing media.

The IPS PRV is factory configured for a 10 psi to 90 psi pressure range.

The relief valve is fully adjustable within this range by simply adjusting the upper Socket Hex Adjustment Screw and locking in place with the associated locking nut.

Our IPS Pressure Relief Valve is configured with three Upper Housing and Lower Base options: Polyvinylidene Fluoride ("PVDF"), Polypropylene ("PP") or Anodized Aluminum ("AA") as shown.



Applications

- Pump Pressure Relief
- Expansion Container Pressure Relief
- Flow Channel Pressure Relief
- Safety Relief from water hammer
- System protection for individual low pressure component in circuit

Features:

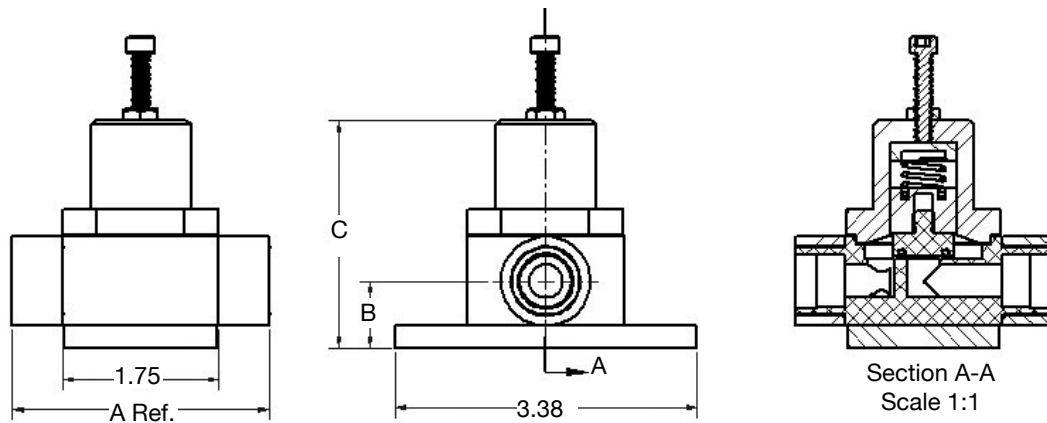
- All Wetted High-Purity Flow Path
- Ideal for Harsh Chemicals
- Fully Adjustable within a 80 psi selected range
- Teflon Coated Spring is isolated from media

Call Factory with
Special Requests

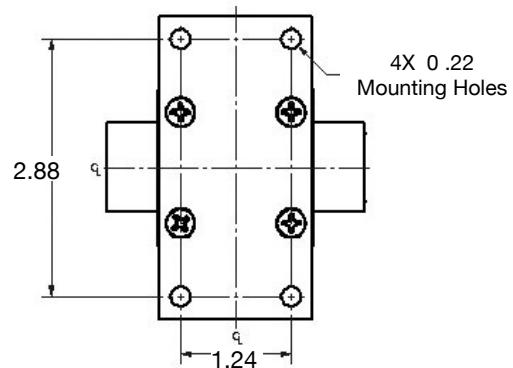
Temperature Range

Ambient	
AA	0°C - 150°C
PVDF	0°C - 120°C
PP	0°C - 60°C
Media	
AA	0°C - 150°C
PVDF	0°C - 120°C
PP	0°C - 60°C





PORT	A	B	C
1/4" Pipe	2.87	0.75	2.55
1/4" Tube	3.44	0.75	2.55
1/4" Flared	4.07	0.75	2.55
3/8" Pipe	2.87	0.75	2.55
3/8" Tube	3.44	0.75	2.55
3/8" Flared	4.09	0.75	2.55
1/2" Pipe	3.25	0.84	2.73
1/2" Tube	3.65	0.84	2.73
1/2" Flared	4.34	0.84	2.73



Pressure Relief Valve: ORDERING FORMAT

PRV - 4 4 P - EP - AA

Porting w/ Max Orifice

PIPE	
44	1/4" FNPT & 0.250" Orifice
66	3/8" FNPT & 0.375" Orifice
88	1/2" FNPT & 0.500" Orifice
TUBE	
43	1/4" TUBE & 0.188" Orifice
65	3/8" TUBE & 0.313" Orifice
87	1/2" TUBE & 0.436" Orifice
FLARE	
42	1/4" FLARE & 0.125" Orifice
64	3/8" FLARE & 0.250" Orifice
86	1/2" FLARE & 0.375" Orifice

Upper Housing & Base Plate
 AA = Anodized Aluminum
 PP = Polypropylene
 PVDF = Polyvinylidene Fluoride

O-Ring Type
 EP = Ethylene Propylene
 KA = Kalrez (FFKM eq.)
 VT = Viton

Port Connection
 P = FNPT
 T = Tube
 FF = Flared

Sanitary End and Male NPT Connections are available as special orders

IPS Product Notes:

1. Please email Customer Service at info@ipolymer.com
2. Call us for special applications. We can manufacture our Valves with special mounting and interface dimensions.
3. Upon request, alternate material selection from those listed will allow for expanding temperature ratings or other performance characteristics.
4. Unauthorized disassembly of this product will void the original factory one-year product warranty. For further details please contact your local Distributor or our factory directly.