



international polymer solutions

PTFE Gauge Isolator

Our **IPS PTFE Body Gauge Isolator** protects (Isolates) a pressure gauge or other pressure sensor from the effects of corrosives aggressive media and prevents contamination of ultra-pure liquids.

The Gauge Isolator consists of an All-PTFE body, containing a close tolerance machined cavity and a PTFE diaphragm. The upper portion of the cavity is filled with a solution, such as glycerin, silicone or DI water.

Media pressure applied to the bottom side of the PTFE diaphragm is transmitted through the solution filled cavity to the gauge, providing accurate readings while isolating the gauge from the media. Gauge fluctuation is minimized by the combination of the diaphragm design and the solution filling the upper portion of the Gauge Isolator.



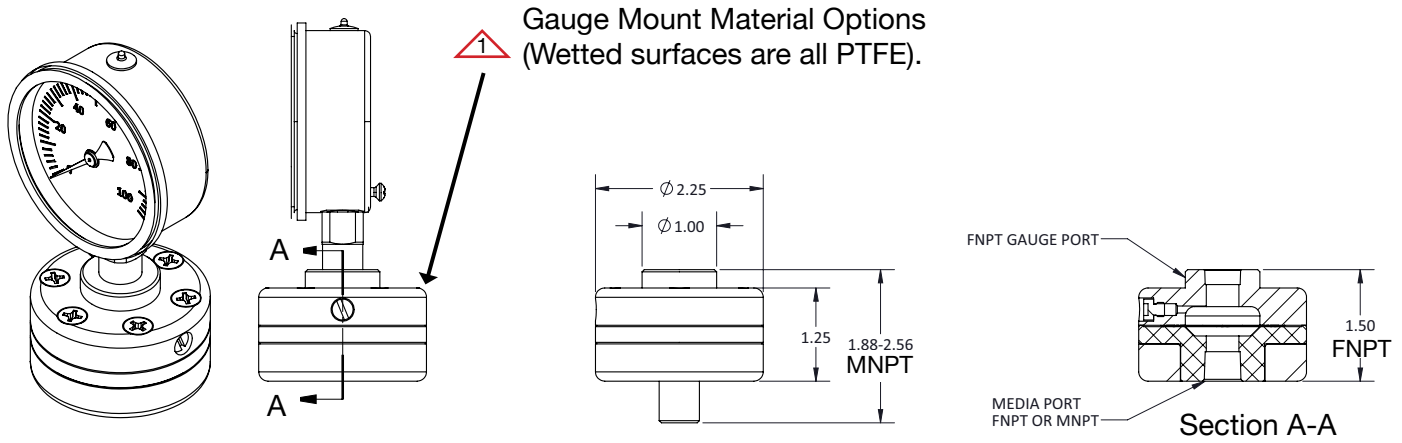
Features:

- All PTFE Wetted Parts
 - Chemically Inert
 - Corrosion-Resistant
 - Supplied with or without Gauge
 - Highly Sensitive
 - User specified upper body material
- Call IPS with your special application. We can custom fit most any Pressure Transducer to our Gauge Isolator.

Specification:

Sensitivity	2" Hg	1 psi
Diaphragm Displacement	0.5 ml	0.017 oz
Internal Fill Volume	4.0 ml	0.135 oz
Ambient Temperature (for Glycerin & DI Water fill)	4°C to 93°C	40°F to 200°F
Ambient Temperature (for Silicon & Glycol)	-10°C to 110°C	15°F to 230°F
Maximum Media Temperature	-30°C to 160°C	-22°F to 320°F
Maximum Operating Pressure (see installed gauge for rating)	6.89 bar	100 psi





Gauge Mount Material Options
(Wetted surfaces are all PTFE).

Gauge Isolator: ORDERING FORMAT

GI - POL - 4 4 - DI - 100

Only to be used when ordering
an Isolator with Gauge

Gauge Mounting

POL = Polypropylene
PVDF = Polyvinylidene fluoride
PVC = Polyvinylchloride
TFM = Dyneon-1600 Enhanced PTFE

Gauge Port & Mounting Orifice

Gauge Type (psi)

Top Mounted:

03C = 0 to 30 psi Copper Alloy (113.13)
06C = 0 to 60 psi Copper Alloy (612.20)
06S = 0 to 60 psi Stainless Steel (131.11)
01C = 0 to 100 psi Copper Alloy (111.11)
01S = 0 to 100 psi Stainless Steel (232.30)

Center Back Mounted:

01CBM = 0 to 100 psi (111.12)

Fluid Designator

S = Silicon
G = Glycerin
DI = DI Water
E = Ethylene Glycol

REF	@ Media Port	@ Gauge Port
4 4	1/4" FNPT	1/4" FNPT
4 2	1/4" FNPT	1/8" FNPT
2 4	1/8" FNPT	1/4" FNPT
2 2	1/8" FNPT	1/8" FNPT
4M 4	1/4" MNPT	1/4" FNPT
4M 2	1/4" MNPT	1/8" FNPT
2M 4	1/8" MNPT	1/4" FNPT
2M 2	1/8" MNPT	1/8" FNPT

Our standard gauges
will be WIKA unless
requested otherwise.

IPS Product Notes:

1. Please email Customer Service at info@ipolymer.com
2. Call us for special applications. We can manufacture our Gauge Isolators with special mounting and interface dimensions.
3. Upon request, alternate material selection from those listed will allow for expanding temperature ratings or other performance characteristics.
4. Unauthorized disassembly of this product will void the original factory one-year product warranty. For further details please contact your local Distributor or our factory directly.