



PTFE Micro Pneumatic Diaphragm Valve

Our **PTFE Micro Pneumatic Diaphragm Valve** (MPD) is one of the smallest high purity air actuated diaphragm valves on the market today.

Designed for use in high purity water and aggressive chemical applications.

The 100% PTFE wetted flow path makes the Micro Pneumatic Diaphragm Valve ideal for DI Water Systems and corrosive media found in solar, semiconductor, pharmaceutical, bio-medical, gas analytics and precision chemical process applications.

Offered in 2-Way Normally Closed, 2-Way Normally Open, and 3-Way port configurations, our all wetted PTFE Micro Pneumatic Diaphragm Valves are an excellent complement to our Mini, Submini and HPV pneumatic valve families.

The extremely compact design of the iPolymer MPD Valve is suited for tight equipment spaces in process enclosures, cabinets and panels. Configured to mount from its base, the units can be custom rack mounted on a common PVC or Polypro base plate.

Please refer to the tabulated product selection guide on the next page for the various valve body options. Please contact iPolymer factory for special OEM configurations.



Call iPolymer for special configurations

Specifications:

Materials of Construction:

- Wetted Surfaces: Virgin PTFE, Modified PTFE
- Non Wetted Materials: PVDF, Polypro, Stainless Steel

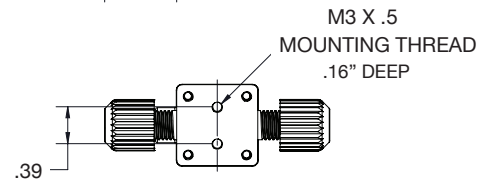
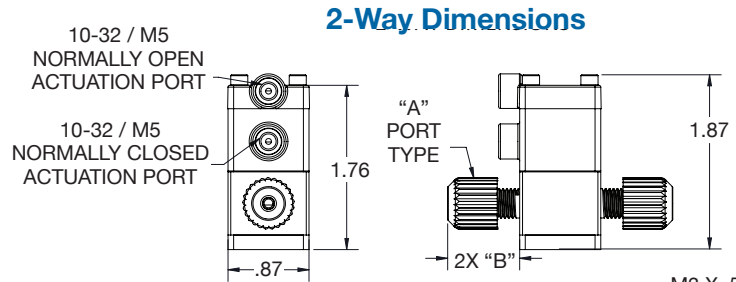
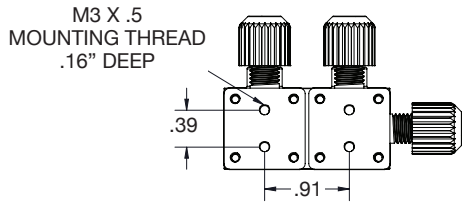
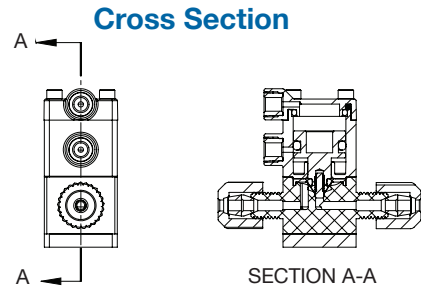
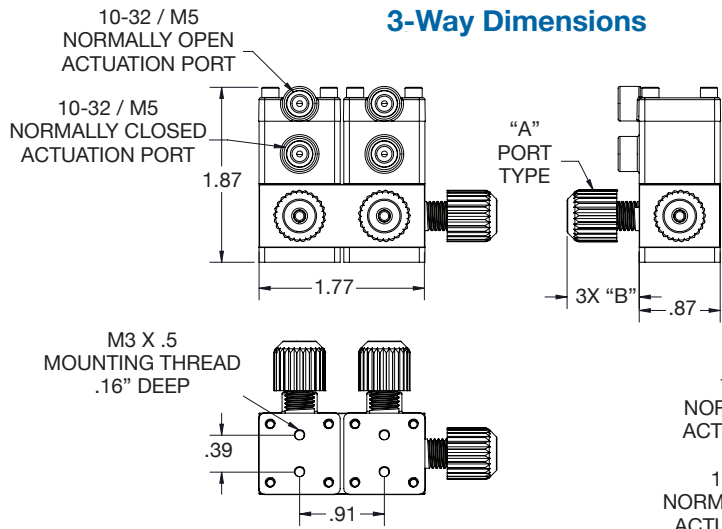
Temperature Ranges:

- 32°F - 140°F (0°C - 60°C) Ambient
- 32°F - 212°F (0 - 100°C) Media

Pressure Ranges:

- Maximum Inlet Pressure: 80 psi (551 kPa | 5.51 bar)
- Maximum Inlet Vacuum: 27 in Hg
- Consult factory when operating valve with pressure and/or vacuum combinations other than those listed.
- Pneumatic Actuation:
 - Pressure Range: 50 psi (3.45 bar) to 100 psi (6.89 bar) depending on media pressure conditions
 - Pressure Source: Conditioned Dry Air





ORDERING FORMAT **MPD - 2 2C - L**

Valve Type
MPD = Micro Pneumatic Diaphragm

Porting w/Max Orifice

| PORT STYLE | PORT SIZE | ORIFICE | "B" Dim. |
|------------|-------------|---------|----------|
| 1 | 1/16" Tube | 0.047 | 0.75 |
| 2 | 1/4 -28 UNF | 0.094 | 0.38 |
| 3 | 1/8" FNPT | 0.094 | 0.38 |
| 4 | 1/8" Tube | 0.094 | 0.75 |
| 5 | 3/16" Tube | 0.094 | 0.75 |
| 6 | 1/4" Tube | 0.094 | 0.9 |
| 7 | 1/4" Flare | 0.094 | 1.11 |

| CONFIGURATION | VALVE STYLE |
|---------------|-----------------------|
| 2C | 2 WAY NORMALLY CLOSED |
| 2O | 2 WAY NORMALLY OPEN |
| 3W | 3 WAY |

Port Arrangements (3-Way Only)

Two configurations available.
Left (L) is our standard port arrangement.

Looking Down at the Top of the Actuator

L = Exit Body Flow Left



R = Exit Body Flow Right



IPS Product Notes:

1. Please email Customer Service at info@ipolymer.com.
2. Call us for special applications. We can manufacture our Valves with special mounting and interface dimensions.
3. Upon request, alternate material selection from those listed will allow for expanding temperature ratings or other performance characteristics.
4. Unauthorized disassembly of this product will void the original factory one-year product warranty. For further details please contact your local Distributor or our factory directly.

171006