



international polymer solutions

Suckback Valves

Our IPS Suckback Valves are ideal for acid, solvent, photoresist solutions and other process dispensed chemistries. The IPS Suckback Valve will pull a vacuum and prevent excessive dripping from the dispensing nozzle.

The IPS Suckback Valve is constructed of an “all wetted” PTFE media flow path.

Our 104168 Suckback Valve incorporates the suckback feature in a Normally Closed pneumatic valve.



When air pressure is removed from the valve actuator, an internal diaphragm is pushed upward which forms a vacuum in the valve body.

While the valve is closing, the vacuum sucks back the final droplets of process media. Thereafter, the valve completely closes and seals the media flow path.

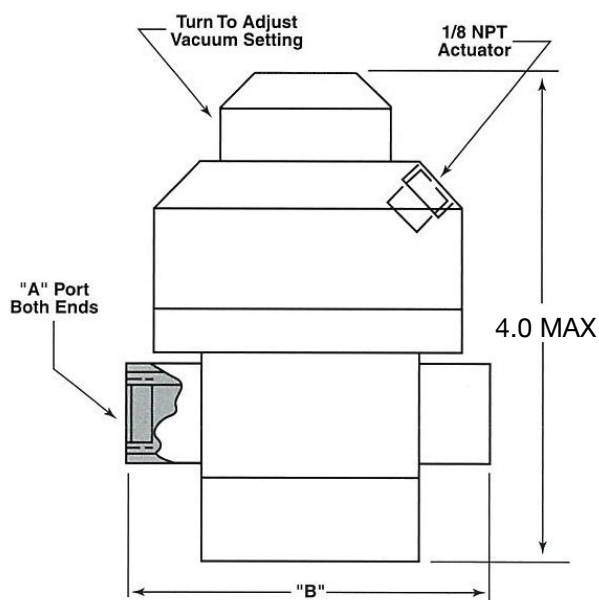
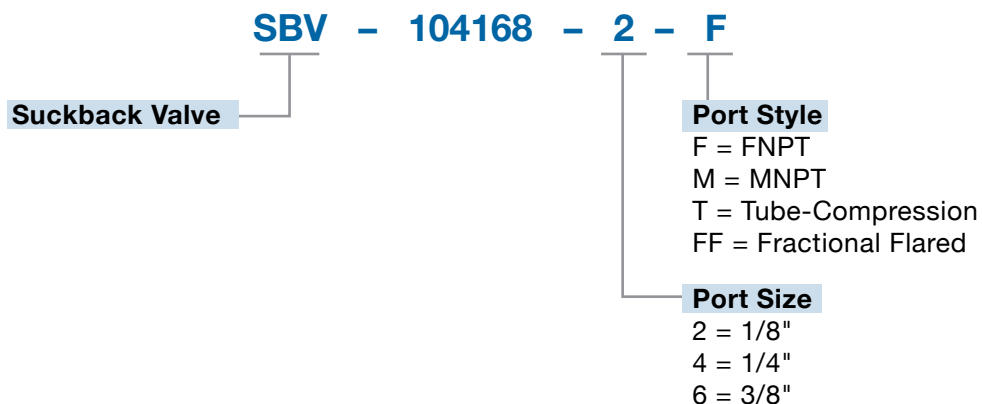
An additional unique feature of the 104168 Suckback Valve is a Vacuum Adjustment Knob which allows the user to set the vacuum level.

Specifications:

Actuator Pressure (min/max)	45 / 60 psi
Maximum Media Pressure	30 psi
Maximum Media Temperature	185°F / 85°C
Maximum Ambient Temperature	140°F / 60°C
Suckback Amount	0.25 - 0.50 cc @ Room Temp & S.G. = 1.0



Suckback Valves: ORDERING FORMAT



SBV Port Size & Style	104168 ("B")
1/8" FNPT	2.39
1/8" MNPT	2.39
1/8" Tube	2.39
1/4" FNPT	2.75
1/4" MNPT	2.75
1/4" Tube	2.63
1/4" Flared	3.63
3/8" FNPT	2.75
3/8" MNPT	2.75
3/8" Tube	2.63
3/8" Flared	3.63

IPS Product Notes:

1. Please email Customer Service at info@ipolymer.com
2. Call us for special applications. We can manufacture our Valves with special mounting and interface dimensions.
3. Upon request, alternate material selection from those listed will allow for expanding temperature ratings or other performance characteristics.
4. Unauthorized disassembly of this product will void the original factory one-year product warranty. For further details please contact your local Distributor or our factory directly.