



international polymer solutions

Sub-miniature Solenoid Valves



Our **IPS Sub-miniature Solenoid Valves** offer precision performance under extreme conditions. Offered as 2-Way and 3-Way Valves with four internal body configurations and three seat sealing methods, our IPS Sub-miniature Solenoid Valves are suitable for a wide range of ultra clean to highly corrosive media applications.

Our PTFE wetted surface design is ideally suited for semiconductor, pharmaceutical, bio-medical and chemical process applications.

Configurable with a FKM-Viton Seat, FEPM-AFLAS Seat or FFKM-Kalrez Seat,

the Sub-mini Series Solenoid Valve line provides unsurpassed chemical compatibility with a wide range of flow media. The PTFE body, valve stem and one piece diaphragm maintain a material inert boundary for ultra-clean and harsh-caustic applications.



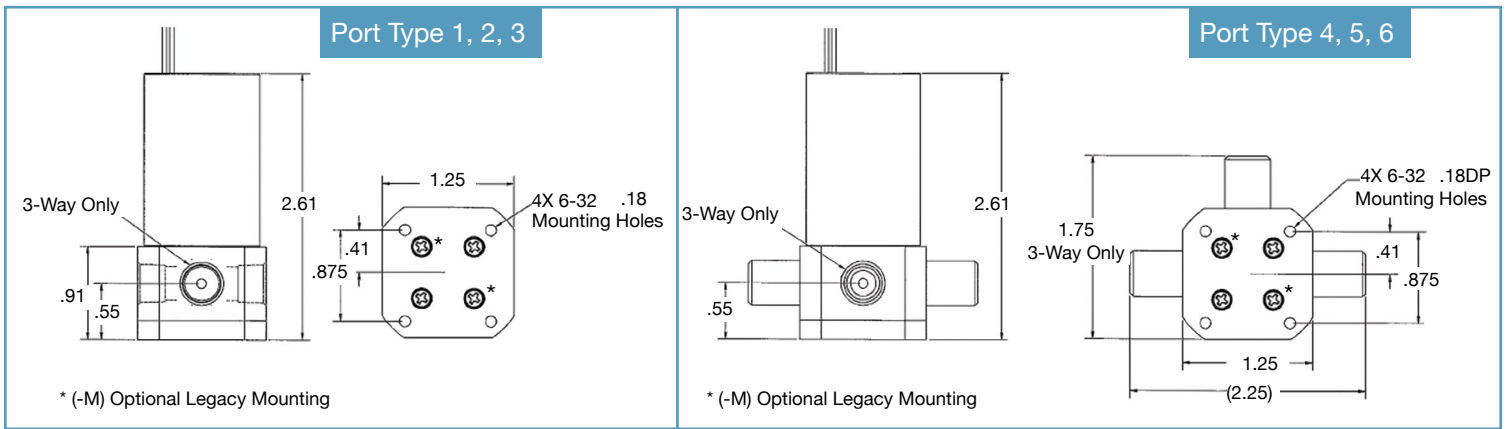
HIGHLIGHTS:

- PTFE design optimized for ultra clean and chemical compatibility.
- Configurations available for various DC & AC voltages.
- Fast, accurate and repeatable coil response time from proven technology.
- Valve seat and diaphragm designed for positive flushing and bubble-tight shut off.
- Non-porous diaphragm configured to completely isolate solenoid coil from media.
- 100% coil driven – does not require energizing pressure or vacuum to operate.
- Maximum recommended Duty Cycle 62%.
- Designed for aggressive media and elevated temperature.

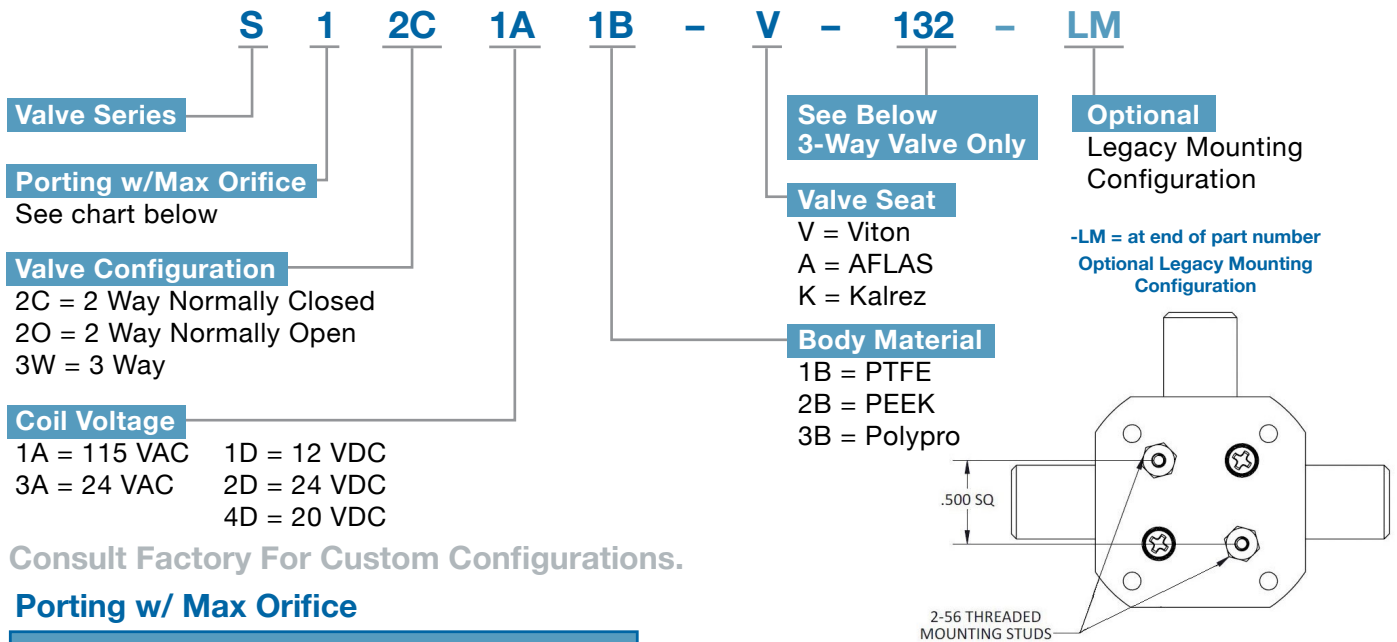
Maximum Port Pressure Rating (psi)	O-Ring Seat 3-Way
Common Port	80
Normally Closed Port	40
Normally Open Port	40
	2-Way NC
Inlet Port	80
Outlet Port	40
	2-Way NO
Inlet Port	80
Outlet Port	40



General Valve Parameters	
0.063" Orifice Cv (2-Way / 3-Way)	0.06 / 0.05
0.094" Orifice Cv (2-Way / 3-Way)	0.12 / 0.11
Common Port Vacuum in-Hg (max)	20
Media Temperature (range)	0 - 100°C / 32 - 212°F
Ambient Temperature (range)	0 - 60°C / 32 - 140°F
Wattage Range	10 -12 W
Voltage Tolerance	+/-10%
Coil Lead Length (2 Wire)	24"



Solenoid Valves: ORDERING FORMAT



Consult Factory For Custom Configurations.

Porting w/ Max Orifice

Port Type/Size and Standard Orifice	
1	1/4"-28-UNF Female with 0.063" Orifice
2	1/8" FNPT with 0.094" Orifice
3	#10-32-UNF Female with 0.063" Orifice
4	1/4" FNPT with 0.094" Orifice
5	1/8" Tube with 0.094" Orifice
6	1/4" Tube with 0.094" Orifice
7	1/16" FNPT with 0.063" Orifice
8	1/16" Tube with 0.032" Orifice
9	1/4" Flare with 0.094" Orifice

Port Arrangements

The port orientation can be arranged in four possible patterns on our 3-Way Solenoid Valves.

Looking Down at the Top of the Coil			
STD			
NC ● NO	NO ● NC	C ● NC	NO ● C
132 C	123 C	213 NO	321 NC

STD = 132 is our standard Port Arrangement.

IPS Product Notes:

1. Please email Customer Service at info@ipolymer.com.
2. Call us for special applications. We can manufacture our Valves with special mounting and interface dimensions.
3. Upon request, alternate material selection from those listed will allow for expanding temperature ratings or other performance characteristics.
4. Unauthorized disassembly of this product will void the original factory one-year product warranty. For further details please contact your local Distributor or our factory directly.