



international polymer solutions

Metering Valve

IPS Metering Valve (MV) use a tapered plug-stem to give a fine adjustment to the flow in addition to a full, open, or positive shutoff position.

Our Metering Valves come in two configurations: Straight Flow Pattern (standard) and Angled Flow Pattern (special). IPS Metering Valves are considered low pressure valves.

The PTFE all-wetted surface design works equally well with ultra clean DI water and harsh chemical media. As with all Metering Valves, we recommend filtering the media prior to entering the valve.



Specifications:

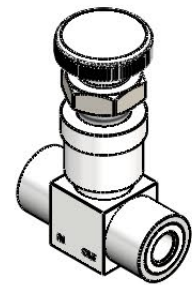
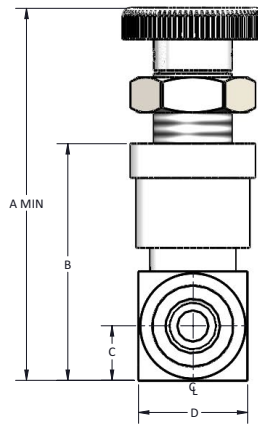
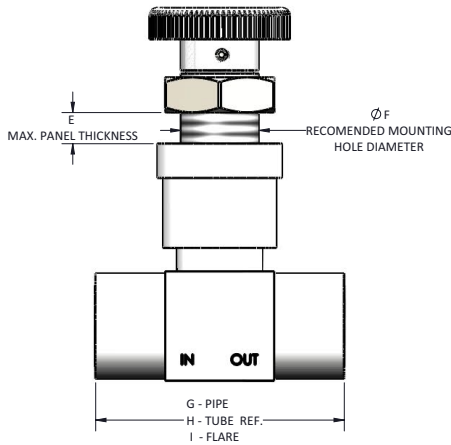
Media Pressure	25 in HG to 60 psi maximum
Media Temperature	-30°C (-22°F) to 110°C (230°F)
Ambient Temperature	-18°C (0°F) to 80°C (176°F)

Metering Valve Flow Characteristics:

Metering Valve Orifice	Maximum Flow H2O (gpm)	Maximum Flow Air (scfm)	Turns Full Open Valve
0.094" Orifice	0.67	3.90	5 ±1
0.125" Orifice	1.37	8.10	5 ±1
0.188" Orifice	2.73	14.03	10 ±1
0.250" Orifice	2.90	15.19	10 ±1
0.313" Orifice	9.77	52.04	10 ±1
0.375" Orifice	11.33	61.52	10 ±1
0.438" Orifice	20.33	106.88	10 ±1
0.500" Orifice	22.19	112.76	10 ±1

H2O & Air Flow based on nominal 70°F DI Water & Shop Air at 50 psi





STRAIGHT FLOW PATH
(A = STANDARD)



ANGLED FLOW PATH
(B = SPECIAL)

Size	A	B	C	D	E	F	G	H	I
1/8"	2.92	1.77	0.38	0.75	0.25	0.64	1.50	1.50	n/a
1/4"	3.05	1.90	0.44	0.88	0.25	0.64	2.00	2.00	2.88
3/8"	4.56	2.61	0.60	1.62	0.69	1.13	2.75	2.75	3.63
1/2"	4.81	2.75	0.72	1.62	0.69	1.13	3.13	2.75	3.82

Metering Valve: ORDERING FORMAT

MV – 22 P – A

Metering Valve

Port & Orifice Size

Porting w/ Max Orifice

PIPE	
22	1/8" FNPT & 0.125" Orifice
44	1/4" FNPT & 0.250" Orifice
66	3/8" FNPT & 0.375" Orifice
88	1/2" FNPT & 0.500" Orifice
TUBE	
21	1/8" TUBE & 0.094" Orifice
43	1/4" TUBE & 0.188" Orifice
65	3/8" TUBE & 0.313" Orifice
87	1/2" TUBE & 0.436" Orifice
FLARE	
42	1/4" FLARE & 0.125" Orifice
64	3/8" FLARE & 0.250" Orifice
86	1/2" FLARE & 0.375" Orifice

Orientation

A = Straight Flow Pattern
B = Angled Flow Pattern

Port Configuration

P = Pipe Female NPT
T = Tube
FF = Fractional Flared
M = Pipe Male NPT

If you do not find your
configuration available
please call the IPS factory

IPS Product Notes:

1. Please email Customer Service at info@ipolymer.com
2. Call us for special applications. We can manufacture our Valves with special mounting and interface dimensions.
3. Upon request, alternate material selection from those listed will allow for expanding temperature ratings or other performance characteristics.
4. Unauthorized disassembly of this product will void the original factory one-year product warranty. For further details please contact your local Distributor or our factory directly.