



international polymer solutions

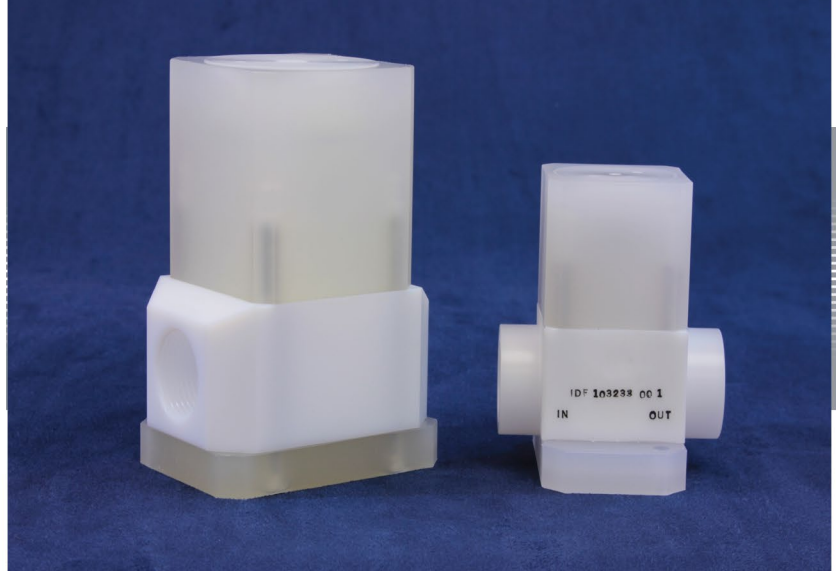
# Inline Diaphragm Valves

**Our Inline Diaphragm Valves (IDF)** features an all wetted PTFE flow path with a diaphragm design for ultra pure service. Common applications include DI Water, Acid Drain, and Source Chemistry flow shutoff.

- The IDF valve is offered in a two-way normally closed configuration.
- All PTFE wetted flow path.
- Long life diaphragm design.
- Inline flow path reducing cavity corners & dead spots.
- The anti-bacteria (AB) configuration is designated by adding -AB onto the suffix of the model number.

The AB Option (not shown) significantly reduces the potential of bacteria buildup and maintain a consistent flow via an independent mechanism. This control mechanism will allow for precise adjustments and a cleaner cavity.

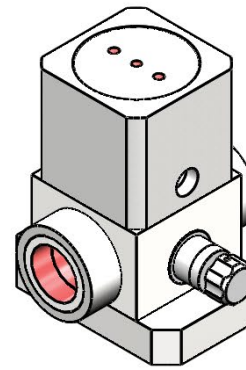
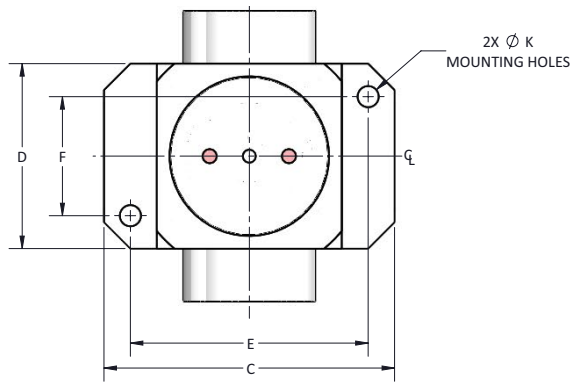
Custom porting & material configurations are available on request (such as; high ambient temperature actuators, sanitary connections and inline filters).



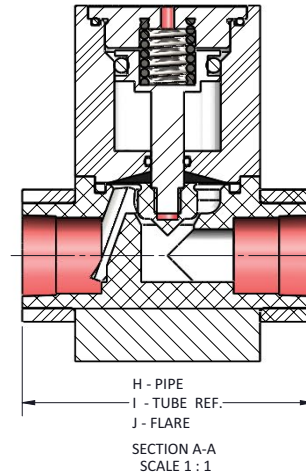
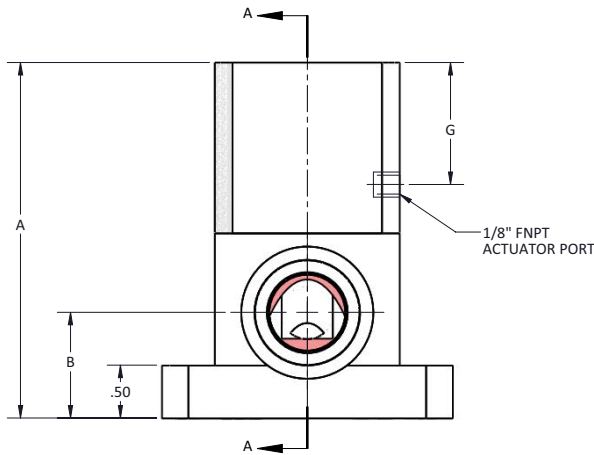
## Specifications

<b>Size</b>	1/2"	3/4"
<b>Cv</b>	2.8	7.5
<b>Max Pressure</b>		
<b>Inlet Port</b>	60 psi	60 psi
<b>Outlet Port</b>	40 psi	40 psi
<b>Actuator Pressure (min./max.)</b>	60 / 80 psi	60 / 80 psi
<b>Max. Media Temperature</b>	300°F	300°F
<b>Max. Ambient Temperature</b>	140°F	140°F
<b>Wetted Surfaces</b>	PTFE	PTFE
<b>Pneumatic Surfaces</b>	Polypropylene	Polypropylene
<b>Inlet Port</b>	1/2"	3/4"
<b>Outlet Port</b>	1/2"	3/4"
<b>Actuator Port</b>	1/8"	1/8"
<b>AB Option: Anti-Bacteria Valve Stem</b>	PVDF	PVDF
<b>AB Option: Adjustment Bleed</b>	0 - .75 GPM	0 - 2.5 GPM



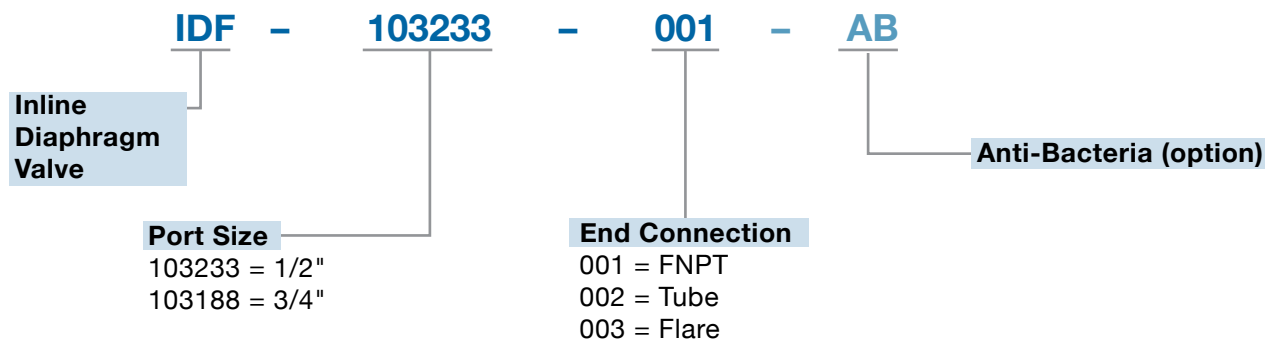


ANTI-BACTERIAL CONFIGURATION  
AB - OPTION



Size	A	B	C	D	E	F	G	H	I	J	K
<b>1/2"</b>	3.37	1.00	2.75	1.75	2.25	1.13	1.28	2.75	2.87	3.95	.20
<b>3/4"</b>	4.58	1.20	3.25	2.30	2.80	1.50	1.87	3.25	3.54	4.80	.26

## Inline Diaphragm Valves: ORDERING FORMAT



### IPS Product Notes:

1. Please email Customer Service at [info@ipolymer.com](mailto:info@ipolymer.com)
2. Call us for special applications.
3. Upon request, alternate material selection from those listed will allow for expanding temperature ratings or other performance characteristics.
4. Unauthorized disassembly of this product will void the original factory one-year product warranty. For further details please contact your local Distributor or our factory directly.