



international polymer solutions

DI Water Valve

IPS DI Water Valves are perfect 2-Way Valve for wet benches and chemical process facilities where ultrapure water is required.

Wetted Path is free of...

- Lubricants
- Elastomers
- Springs

Our IPS DI Valve materials of construction include three options for the Body, Piston and Cap Assembly: PVC, Polypropylene or PVDF. For the highest level of chemical inertness and overall fluid handling performance all three configurations include 100% Virgin PTFE for the Bellows and Backing Plate construction.

O-Ring Seal options include EP or Viton. All DI Valve come standard with high performance Stainless Steel actuation springs.

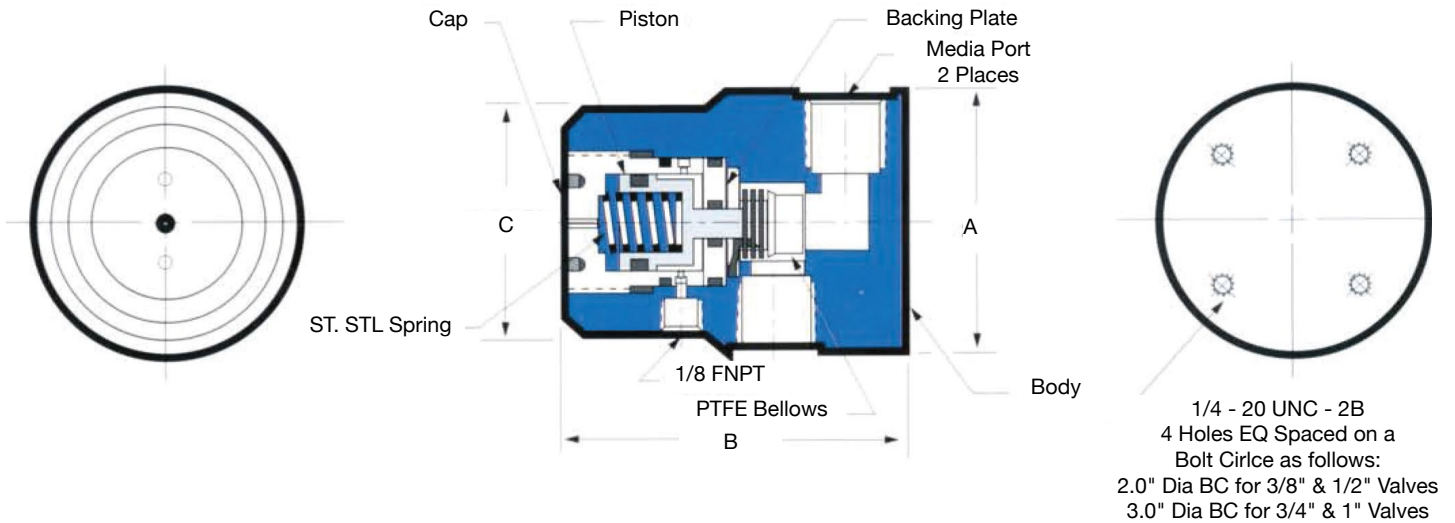
The DI Valve is pneumatically actuated to open or close depending on the model selected.



The DI Valve is formally known as the "MP" Multi - Purpose Valve. Call IPS for special configurations.

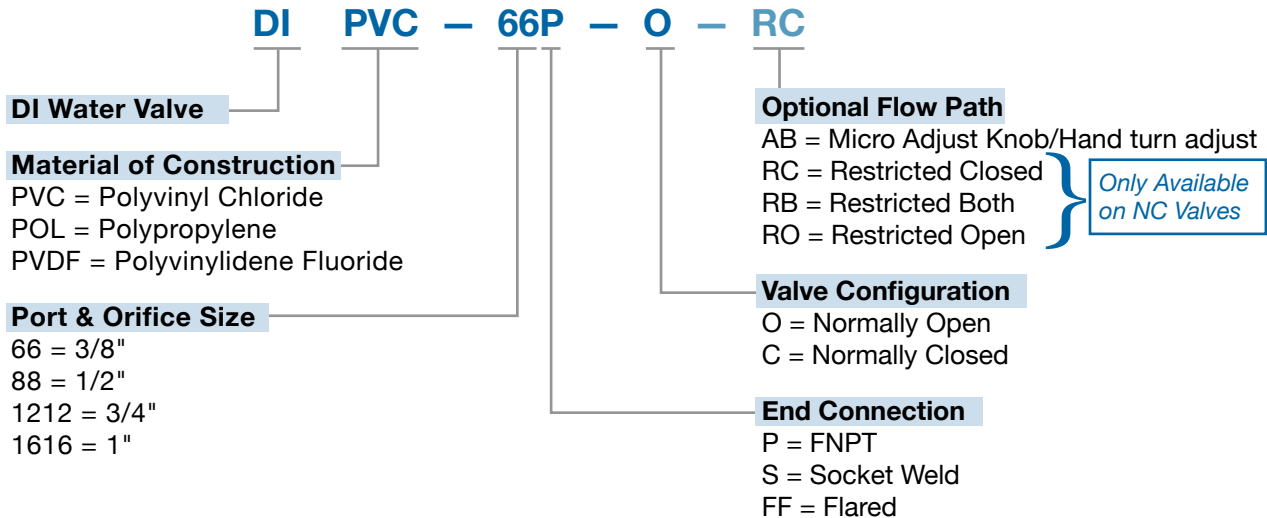
| DI Valve Specifications | PVC Model | Polypro Model | PVDF Model |
|---------------------------------|-----------------------|-----------------------|-----------------------|
| Valve Type | 2-Way NO or NC | 2-Way NO or NC | 2-Way NO or NC |
| Port & Orifices Available | 3/8", 1/2", 3/4" & 1" | 3/8", 1/2", 3/4" & 1" | 3/8", 1/2", 3/4" & 1" |
| Fluid Max Pressure (psi) @ 70°F | 75 psi | 75 psi | 75 psi |
| Media Backpressure (psi) @ 70°F | 30 psi | 30 psi | 30 psi |
| Fluid Temperature Range | 32°F to 140°F | 32°F to 160°F | 32°F to 212°F |
| Ambient Temperature Range | 32°F to 120°F | 32°F to 140°F | 32°F to 175°F |
| Acuation Pressure (psi) | 40 psi to 80 psi | 40 psi to 80 psi | 40 psi to 80 psi |





| Port & Orifice | Cv Factor | Dim "A" | Dim "B" | Dim "C" |
|----------------|-----------|---------|---------|---------|
| 3/8" | 2.1 | 2.75 | 3.56 | 2.38 |
| 1/2" | 2.8 | 2.75 | 3.56 | 2.38 |
| 3/4" | 7.5 | 4.00 | 5.91 | 3.25 |
| 1" | 13.5 | 4.00 | 5.91 | 3.25 |

DI Water Valve: ORDERING FORMAT



IPS Product Notes:

1. Please email Customer Service at info@ipolymer.com
2. Call us for special applications. We can manufacture our Valves with special mounting and interface dimensions.
3. Upon request, alternate material selection from those listed will allow for expanding temperature ratings or other performance characteristics.
4. Unauthorized disassembly of this product will void the original factory one-year product warranty. For further details please contact your local Distributor or our factory directly.

141121